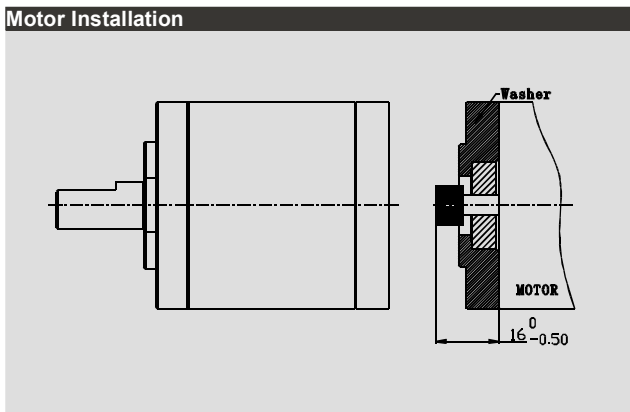
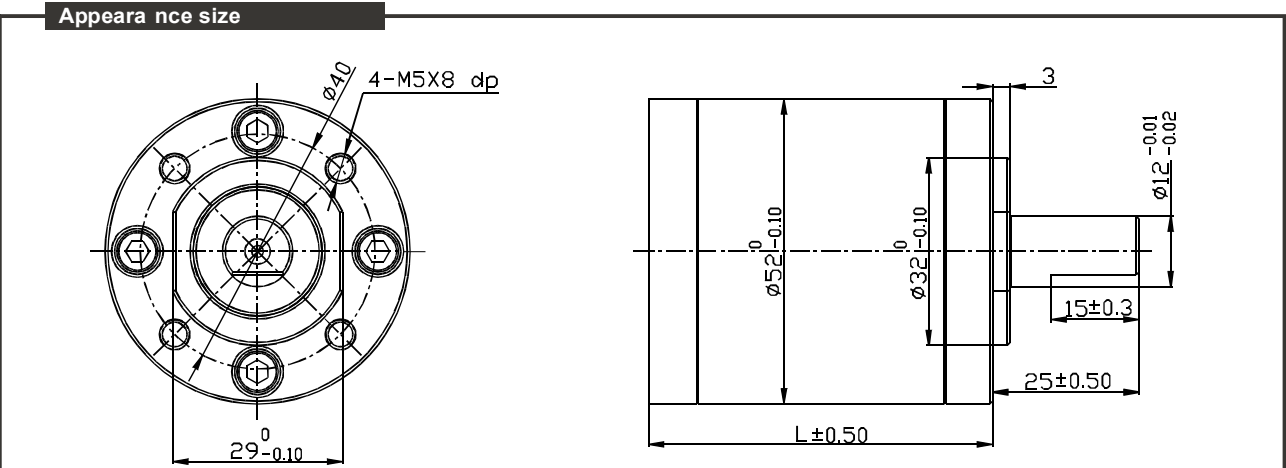


PG52



- Note:
- 1、Housing material): metal
 - 2、Backlash,at no-load: $\leq 2^\circ$
 - 3、Bearing at output: ball bearings
 - 4、Radial play of shaft: $\leq 0.05\text{mm}$
 - 5、Thrust play shaft: $\leq 0.3\text{mm}$
 - 6、The gear box can apply to 52ZY motors.
 - 7、When the motors using at low speed,high gear ratio will cause gear motor torque more than 180kgf.cm.At this torque the gears will be broken easily.Be noted.



Pinion Specifications

Module	0.7	0.7
NO.of teeth	11	17
Pressure angle	20°	
Hole diameter	$\phi 3.97, \phi 3.14$	$\phi 3.97, \phi 4.97, \phi 5.97$
Reduction ratio	5.2, 19.2, 26.9, 99.5, 139, 516, 721, 1911, 2672, 3736	3.7, 13.7, 50.9, 71.2, 188, 264, 369, 699, 997, 1367

Operating temperature range: $-10^\circ\text{C} \sim +60^\circ\text{C}$
 Operating relative humidity: 20% $\sim 85\%\text{RH}$

Gearboxes Specifications

Reduction ratio	Reduction absolute	Rated tolerance torque	Max breaking torque	Efficiency	Number of stages	Gearbox length "L" mm	Direction (Relationship with motor)
3.7, 5.2	$3 \frac{12}{17}, 5 \frac{2}{11}$	10kgf · cm	30kgf · cm	90%	1	35.5	Different
13.7, 19.2, 26.9	$13 \frac{212}{289}, 19 \frac{38}{187}, 26 \frac{103}{121}$	15kgf · cm	45kgf · cm	81%	2	47.1	Same
50.9, 71.2	$50 \frac{4397}{49137}, 71 \frac{524}{3179}$	20kgf · cm	60kgf · cm	73%	3	50.5	Different
99.5, 139	$99 \frac{1044}{20571}, 139 \frac{184}{1331}$	20kgf · cm	60kgf · cm	73%	3	50.5	Different
188, 264	$188 \frac{51013}{83521}, 263 \frac{39370}{54043}$	40kgf · cm	120kgf · cm	65%	4	70.3	Same
369, 516	$368 \frac{26689}{34969}, 515 \frac{14254}{22627}$	40kgf · cm	120kgf · cm	65%	4	70.3	Same
721	$720 \frac{14481}{14641}$	40kgf · cm	120kgf · cm	65%	4	70.3	Same
699, 977	$698 \frac{1376357}{1419857}, 977 \frac{318590}{918731}$	80kgf · cm	240kgf · cm	59%	5	81.9	Different
1367, 1911	$1366 \frac{352585}{594473}, 1910 \frac{332327}{384659}$	80kgf · cm	240kgf · cm	59%	5	81.9	Different
2672, 3736	$2671 \frac{224176}{248897}, 3736 \frac{5521}{161051}$	80kgf · cm	240kgf · cm	59%	5	81.9	Different