

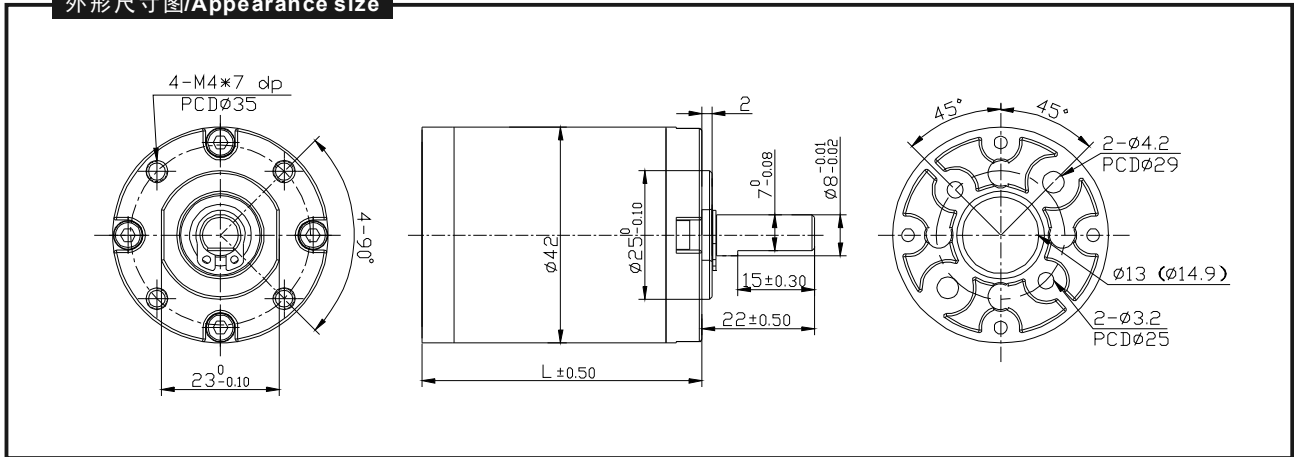
PG42



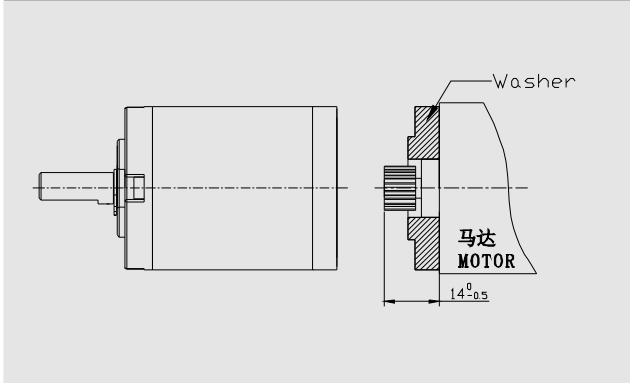
Note:

- 1、外壳材质(Housing material) : metal
- 2、背隙, 无负荷时 (Backlash,at no-load) : $\leq 1.2^\circ$
- 3、轴承型号 (Bearing at output) : ball bearings
- 4、径向间隙 (Radial play of shaft) : $\leq 0.05\text{mm}$
- 5、轴向间隙 (Thrust play shaft) : $\leq 0.3\text{mm}$
- 6、齿轮箱适用于40ZY,RS-555和RS-775马达。
(The gear box can apply to 40ZY,RS-555 and RS-775 motors.)
- 7、警告: 齿轮箱齿轮极限扭矩 (损毁扭矩) 360kgf.cm。当使用低转速、高速比时, 尽量请选用低功率电机, 使用时请做好保护措施。
(Attention: The breaking torque of the gear box is 360kgf.cm.
When the motors using at low speed,high gear ratio, please choose low power motors, and do protection measurements.)

外形尺寸图/Apearance size



马达装卸方法/Motor Installation



马达齿轮参数/Pinion Specifications

模数 Module	0.6	0.6
齿数 NO.of teeth	17	21
压力角 Pressure angle	20°	
孔径 Hole diameter	$\phi 5$	$\phi 3.17D(2.9)$
减速比 Reduction ratio	3.7, 10.2, 13.7, 19.2, 32.5, 50.9, 71.2, 99.5, 139,188, 264,369,699, 977, 1367, 1911	5.2, 26.9,516, 2672,3736

使用温度范围/Operating temperature range: $-10^\circ\text{C} \sim +60^\circ\text{C}$

使用相对湿度/Operating relative humidity: 20%~85%RH

标准减速比参数/Gearboxes Specifications

减速比 Reduction ratio	精确减速比 Reduction absolute	额定允许扭力 Rated tolerance torque	极限扭矩 Max breaking torque	效率 Efficiency	级数 Number of stages	齿轮箱长度 Gearbox length "L" mm
3.7,	3 $12/17$	20.0kgf·cm	60.0kgf·cm	90%	1	31.8
10.2, 13.7, 19.2	10.179, 13 $212/289$, 19 $38/187$,	60.0kgf·cm	180.0kgf·cm	81%	2	43.1
32.5, 50.9, 71.2, 99.5,	32.476, 50 $4397/4913$, 71 5 $24/3179$, 99 10 $44/2057$,	120kgf·cm	360kgf·cm	73%	3	54.4
139, 188, 264, 369, 516,	139.796, 188.611, 263.729, 368.763, 515.630,	120kgf·cm	360kgf·cm	65%	4	65.7
699, 977, 1367, 1911, 2672,	698.969, 977.347, 1366.593, 1910.864, 2671.901,	120kgf·cm	360kgf·cm	59%	5	77