

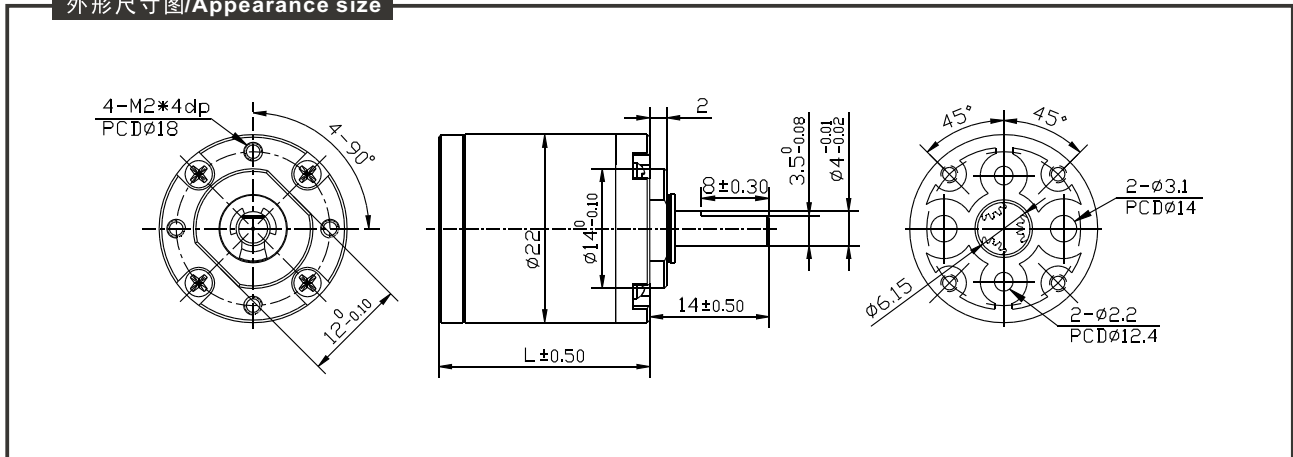
PG22



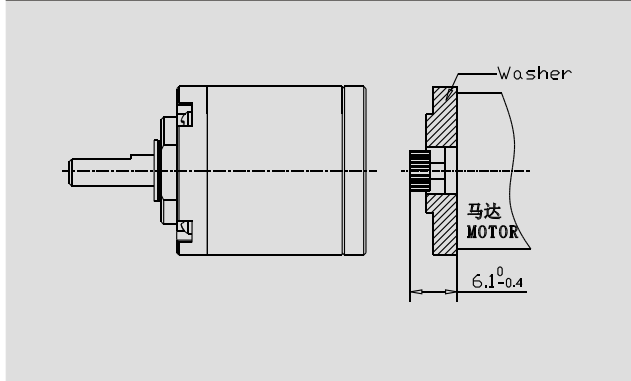
Note:

- 1、外壳材质(Housing material): metal
- 2、背隙, 无负荷时 (Backlash, at no-load): $\leq 1.0^\circ$
- 3、轴承型号 (Bearing at output): Sleeve bearings
- 4、径向间隙 (Radial play of shaft): $\leq 0.05\text{mm}$
- 5、轴向间隙 (Thrust play shaft): $\leq 0.2\text{mm}$
- 6、齿轮箱适用于RF-180和ZY22马达。
(The gear box can apply to RF-180 motors.)
- 7、警告: 齿轮箱齿轮极限扭矩 (损毁扭矩) 12kgf.cm。当使用低转速、高速比时, 请选用低功率电机, 使用时请做好保护措施。
(Attention: The breaking torque of the gear box is 12kgf.cm.
When the motors using at low speed, high gear ratio, please choose low power motors, and do protection measurements.)

外形尺寸图/Appearance size



马达装卸方法/Motor Installation



马达齿轮参数/Pinion Specifications

模数 Module	0.3	0.3
齿数 NO. of teeth	15	18
压力角 Pressure angle	20°	
孔径 Hole diameter	1.98,	
减速比 Reduction ratio	4, 16, 19, 64, 90, 256, 304, 361, 428, 1024, 712, 1500, 1263, 2036	3.5, 12.3, 42.8, 150

使用温度范围/Operating temperature range: $-10^\circ\text{C} \sim +60^\circ\text{C}$

使用相对湿度/Operating relative humidity: 20%~85%RH

标准减速比参数/Gearboxes Specifications

减速比 Reduction ratio	精确减速比 Reduction absolute	额定允许扭力 Rated tolerance torque	极限扭矩 Max breaking torque	效率 Efficiency	级数 Number of stages	齿轮箱长度 Gearbox length "L" mm
3.5, 4	3 $\frac{1}{2}$, 4	1.0kgf·cm	3.0kgf·cm	90%	1	13.9
12.3, 16, 19	12 $\frac{1}{4}$, 16, 19	2.0kgf·cm	6.0kgf·cm	81%	2	17.5
42.8, 64, 90	42 $\frac{7}{8}$, 64, 90 $\frac{1}{4}$	4.0kgf·cm	12.0kgf·cm	73%	3	21.1
150, 256, 304, 361, 428	150 $\frac{1}{16}$, 256, 304 361, 428 $\frac{11}{16}$,	4.0kgf·cm	12.0kgf·cm	65%	4	24.7
712, 1024, 1263, 1444 1500, 2036	712 $\frac{51}{64}$, 1024, 1263 $\frac{1}{2}$, 1444 1500 $\frac{13}{32}$, 2036 $\frac{17}{64}$	4.0kgf·cm	12.0kgf·cm	59%	5	28.3