



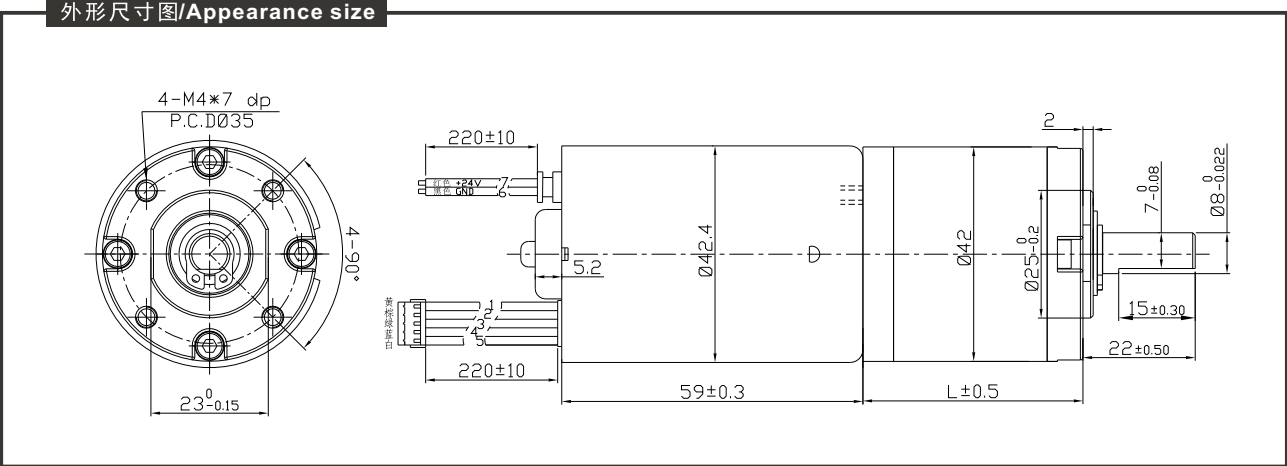
PG42BL42



适用范围/Typical applications:

监控云台/云台、烘烤架、烤炉、清洗机、垃圾处理机、捆钞机、医疗食品、稳压器、游戏机、灌流泵、办公设备、家用电器。

Pan/Tilt cameras, Grill, Oven, Cleaning machine, Garbage disposers, Packing bank note machine, Coffee machine, Medical machine, Manostat, Amusement equipment, infusion pumps, Office equipment, Household appliances, Automatic actuator.



齿轮箱清单/Gearbox data:

级数 Number of stages	1 stages reduction	2 stages reduction	3 stages reduction	4stages reduction	5stages reduction
减速比Reduction ratio	3.7,	10.2, 13.7, 19.2,	32.5, 50.9, 71.2, 99.5,	139, 188, 264, 369, 516,	699, 977, 1367, 1911, 2672, 3736,
齿轮箱长度 Gearbox length "L" mm	31.8	43.1	54.4	65.7	77
最大额定力矩 Max. Running torque	20Kgf · cm	60Kgf · cm	120Kgf · cm	120Kgf · cm	120Kgf · cm
最大损坏扭力 Max. Gear breaking torque	60Kgf · cm	180Kgf · cm	360Kgf · cm	360Kgf · cm	360Kgf · cm
效率Gearing efficiency	90%	81%	73%	65%	59%

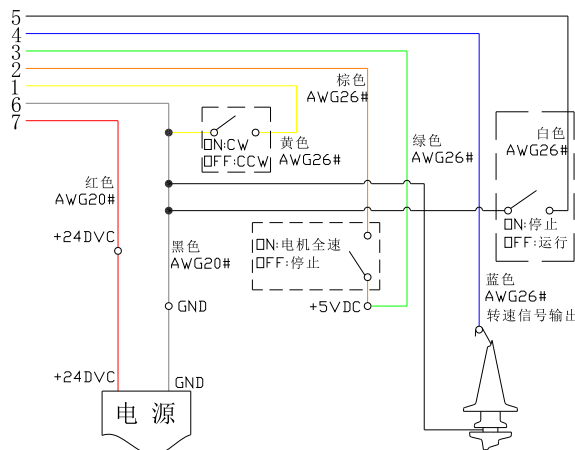
马达清单/Motor data:

马达型号 Motor name	额定电压 Rated Volt. V	空载No load		负载扭矩Load torque				堵转扭矩Stall torque	
		Current	Speed	Current	Speed	Torque	Output power	Torque	Current
		mA	r/min	mA	r/min	gf · cm	W	gf · cm	A
BL42-126000	12	≤280	6000	≤2027	4932	720	38.5	5889	14.59
BL42-246000	24	≤350	6000	≤2223	5155	795	42.1	5785	13.96

1、减速后的输出力矩 = 马达力矩 X 减速比 X 齿轮效率。输出转速 = 马达转速 / 减速比。

1、After connecting motor and gearbox which is named gearmotor the output torque: motor torque X reduction ratio X gearing efficiency; output speed: motor speed / reduction ratio.

电机使用示意图



示波器探测
(实测频率*12=电机实际转速)